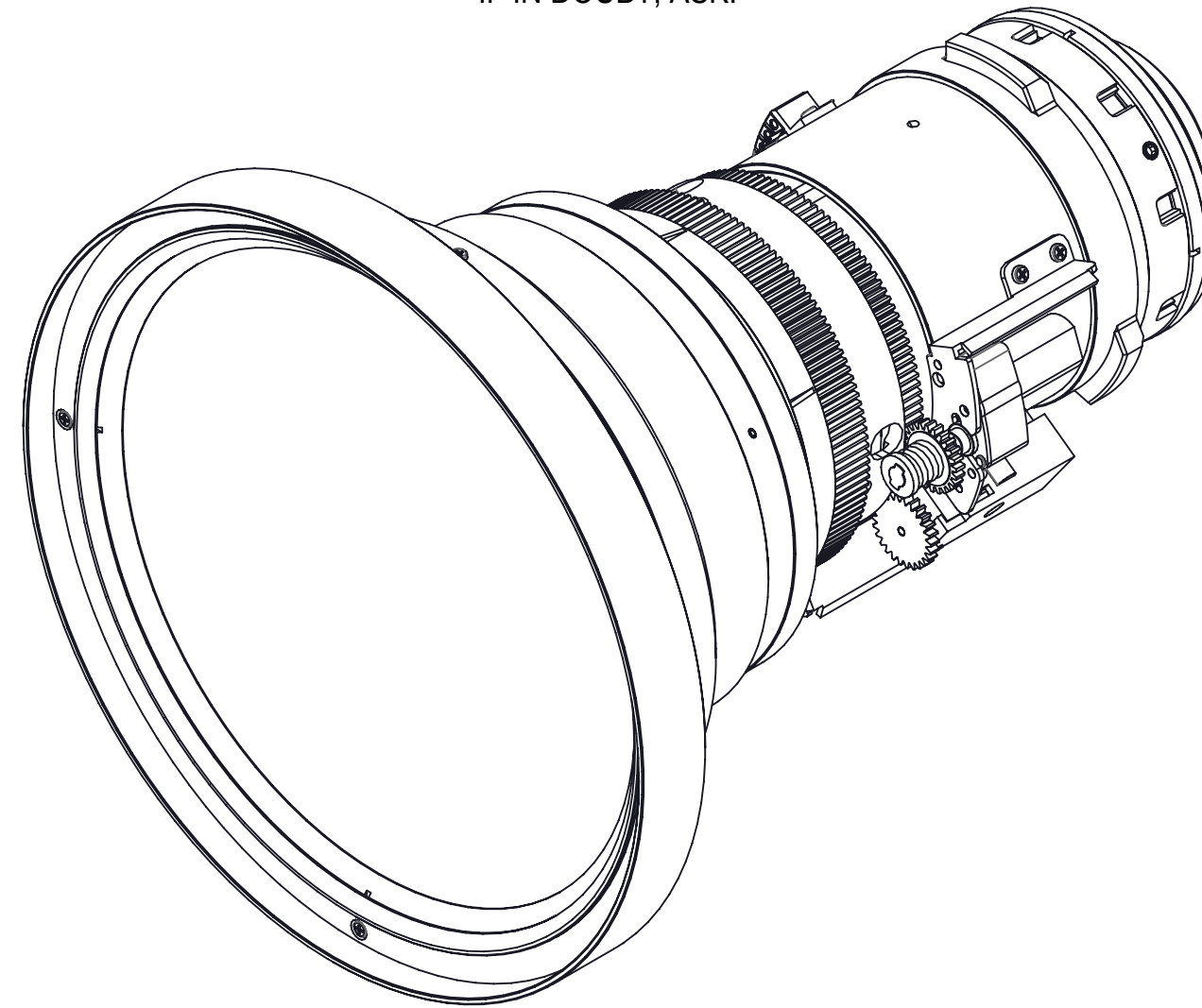
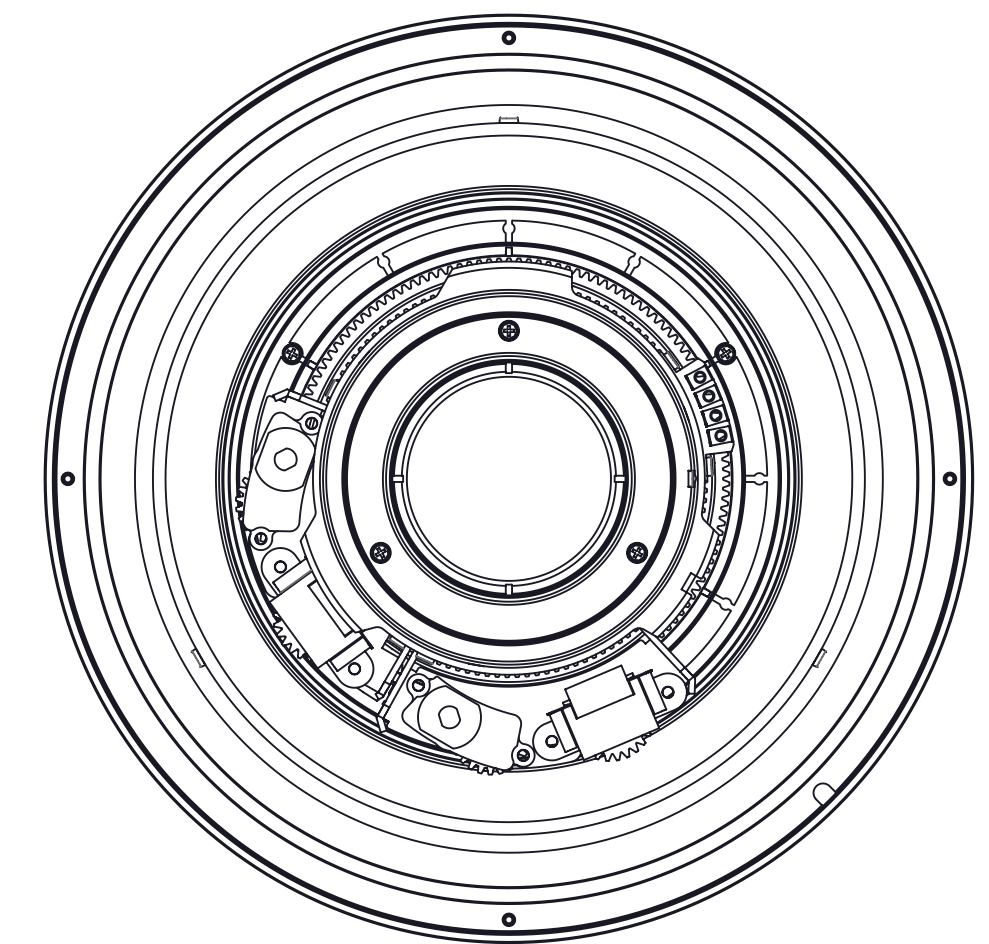
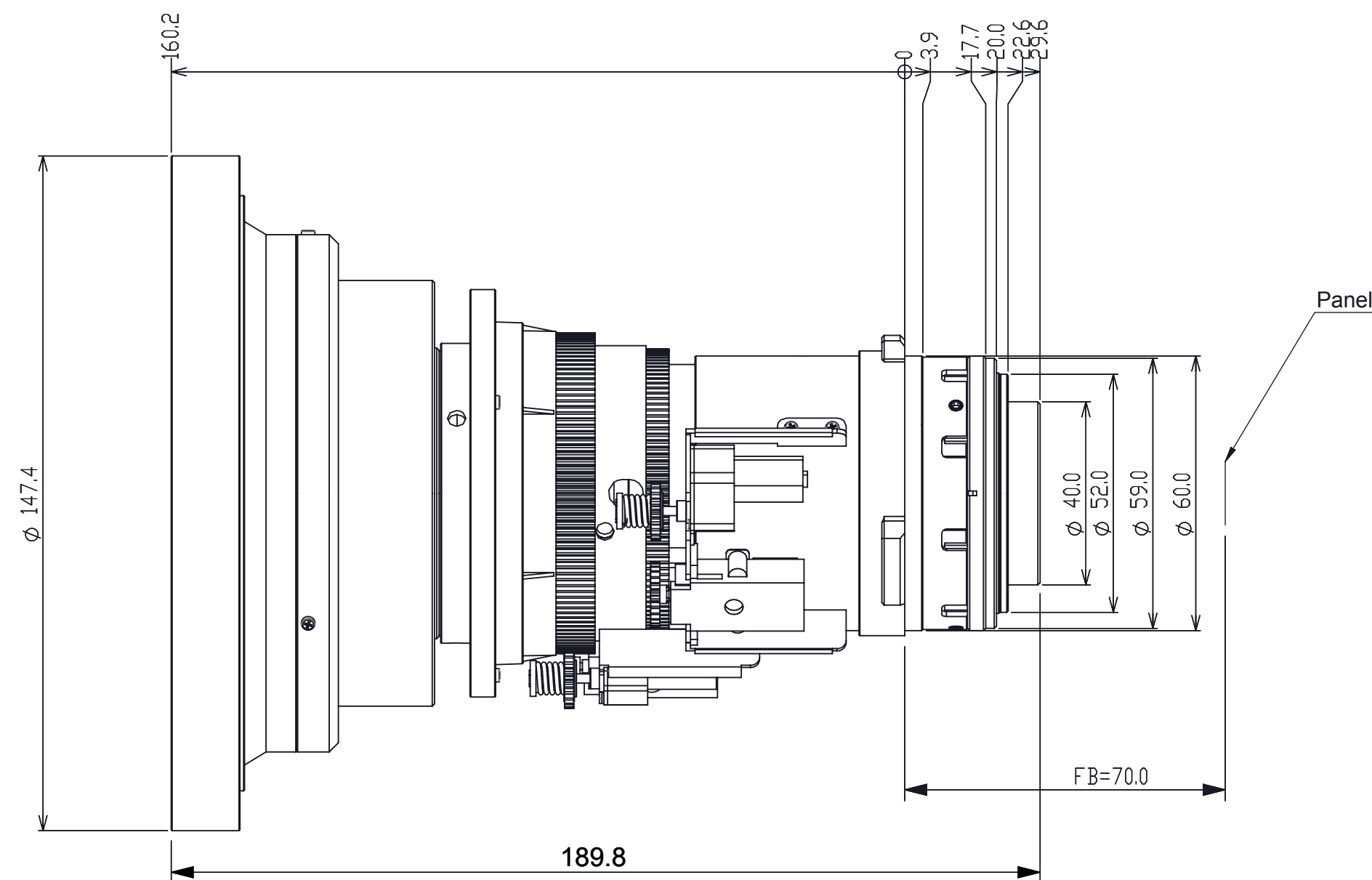
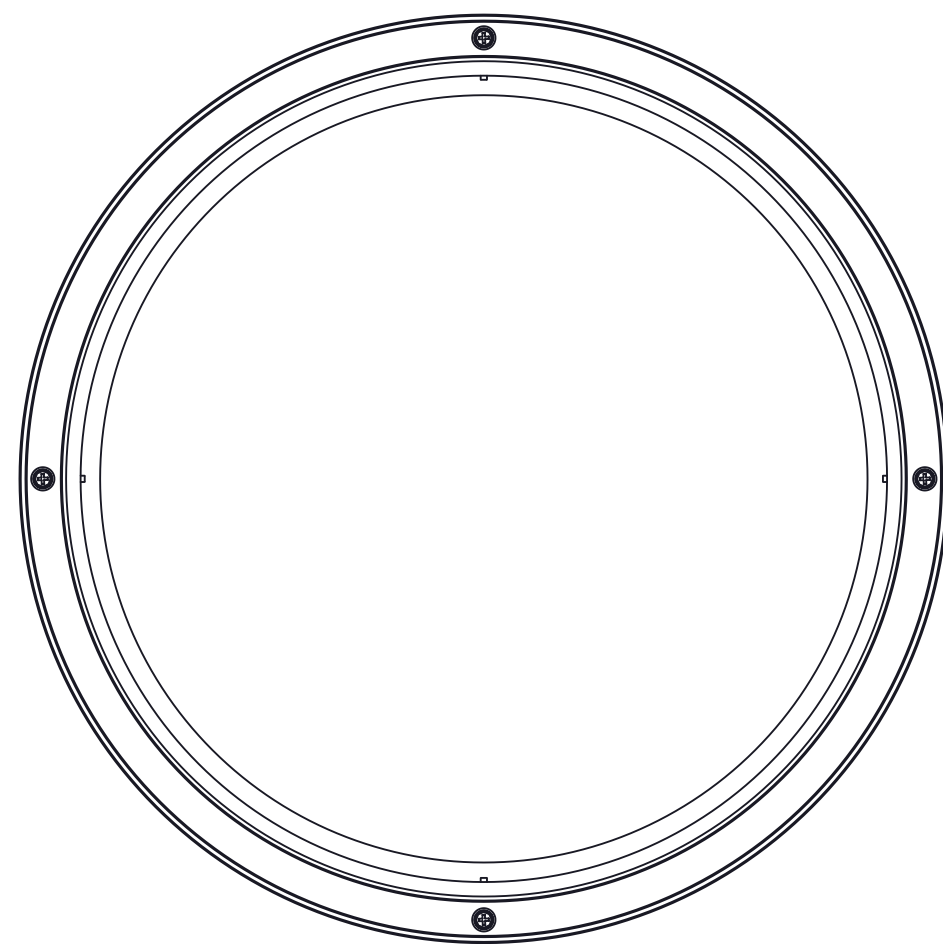


IF IN DOUBT, ASK.



THROW RATIO
UHD 4K
0.74-0.93:1



PRE REVS	ITEM	DESCRIPTION	REFER TO	No OFF	REMARKS
	7				
	6				
	5				
	4				
	3				
	2				
A	1				

MATERIAL	
CODE	
FINISH	

CAD GENERATED DRAWING DO NOT MAKE MANUAL CHANGES
LAST CHANGE
DATE OF ISSUE 1-3-19

TOLERANCES UNLESS OTHERWISE STATED
METRIC: 1.000 = ±0.01
1.00 = ±0.1
1.0 = ±0.2
1 = ±0.4
IMPERIAL Fractional ±1/64"
Decimal ± 0.005"
ANGLES ± 0° 30'

Unless Otherwise Stated	DIMENSIONS IN MILLIMETRES
REMOVE ALL BURRS & SHARP EDGES. DO NOT SCALE DRAWING	
THE SURFACE TEXTURE ROUGHNESS NUMBER OF MACHINED SURFACES SHOULD BE EQUAL TO OR LESS THAN 0.8um (N6 CLA32)	
REV. A	
NOTE	
DRAWN jcharnley	
APP.DO.	
DATE 30-11-17	

FIRST USED ON
ORIGINAL SCALE 1:1.2
DRAWN jcharnley
APP.ENG.
DATE 23-11-17

DIGITAL PROJECTION	MIDDLETON M24 1XX
TITLE	LENS, ULTRA WD ZOOM, TR0.74-0.93:1

COMPONENT OR DRG.No.	118-679
A2-SHEET	1 OF 1